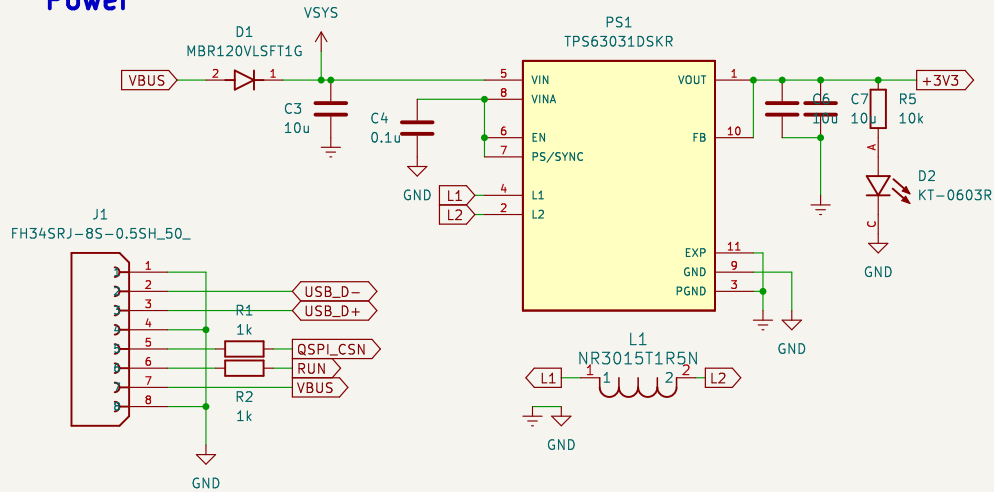
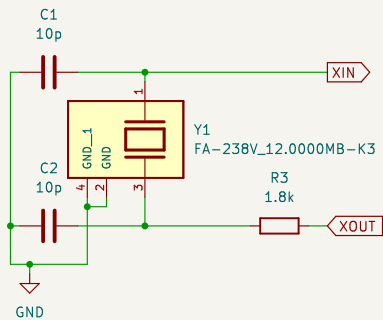


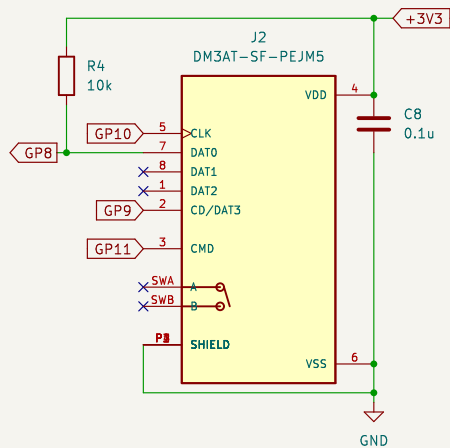
Power



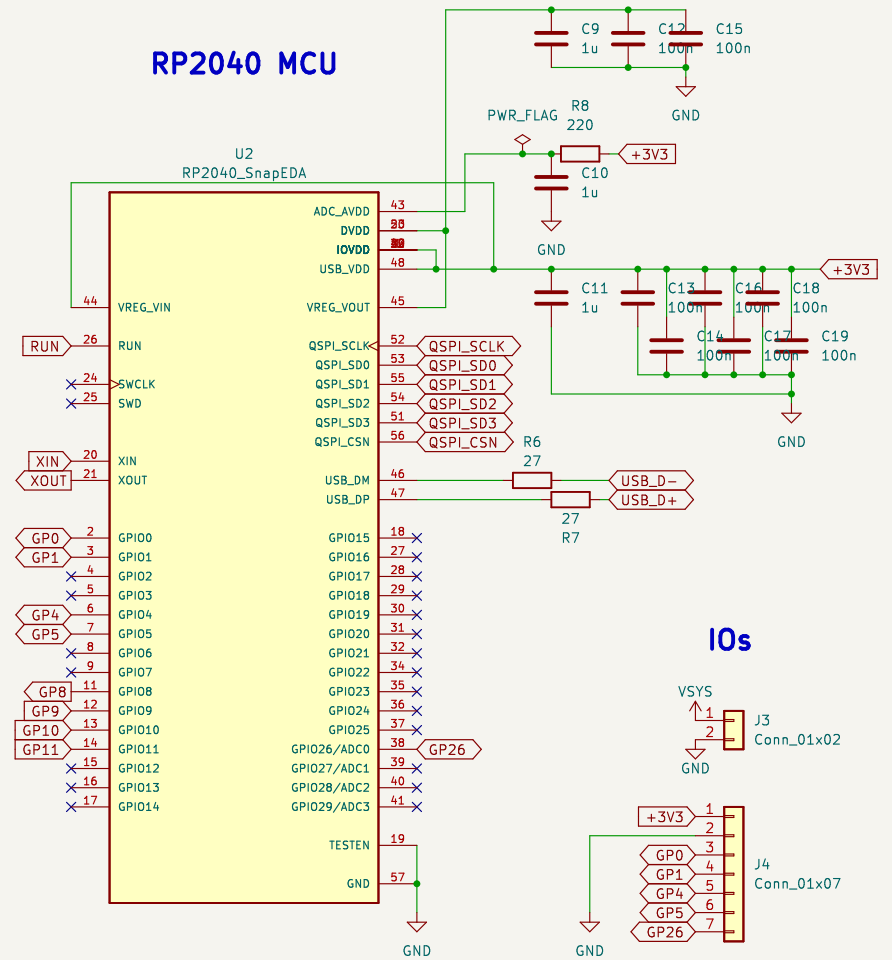
Crystal Oscillator



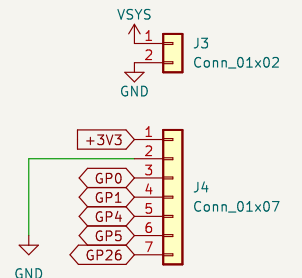
TFCard



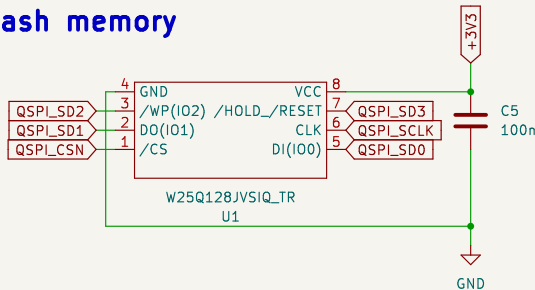
RP2040 MCU



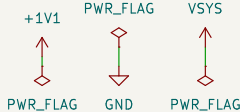
IOs



Flash memory



- H1 MountingHole
- H2 MountingHole
- H3 MountingHole
- H4 MountingHole



goldear.net

Sheet: /
File: GEN2040-Tiny-r2.kicad_sch

Title: GEN2040 Tiny v2

Size: A4 Date: 2024-06-14

KiCad E.D.A. kicad 7.0.10

Rev: r1

Id: 1/1